

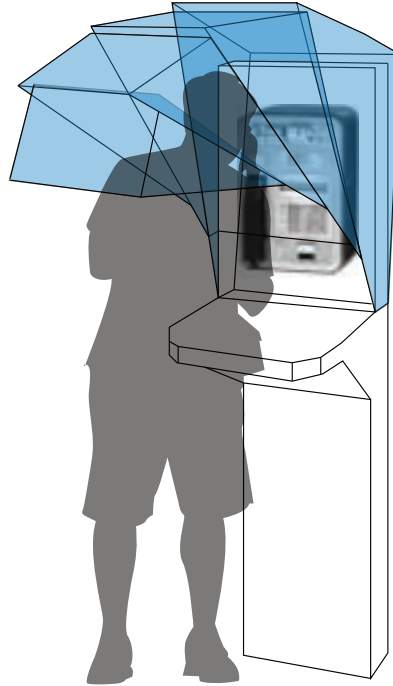
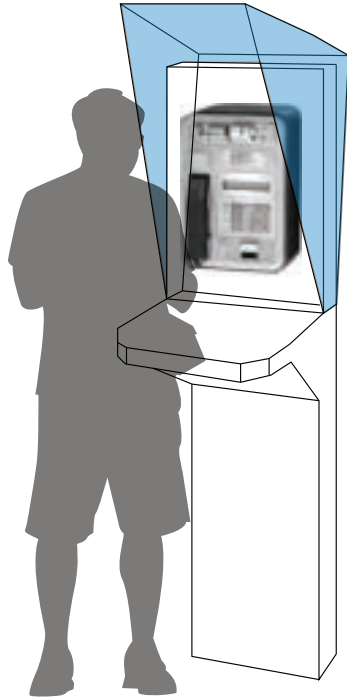
HACK

a
{ structure
}

the
idiosyncratic
infrastructure
for
adjustable
privacy

[a U s e r G u i d e]

by i n a x i

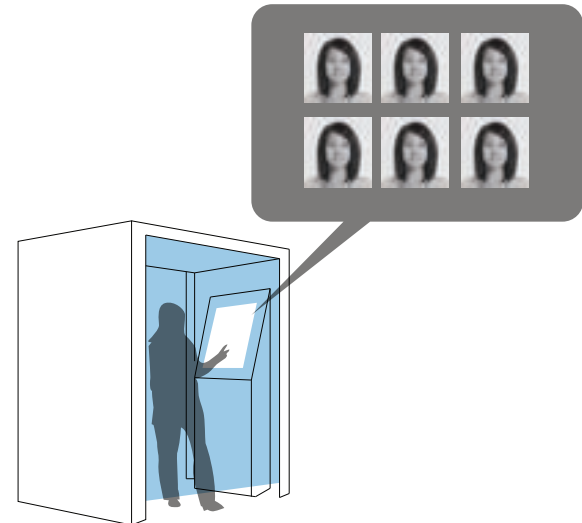


HACK a structure

this phone booth has a kinetic shelter that senses how close one is lean towards it. The shorter the distance, the further it expands to seclude one away from the surrounding.

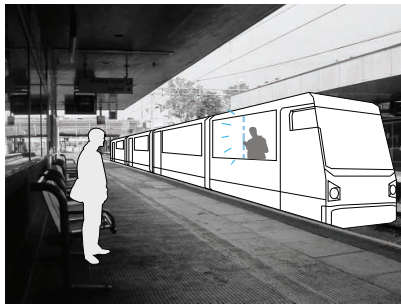
HACK a structure

the huge cinema screen that uses anonymous photos taken at the nearby photo booths to advertise a product. one can submit their photos to the advertising system and speaks for a product they like. they may expect attention from passers-by who wonder if they have seen the person somewhere before.



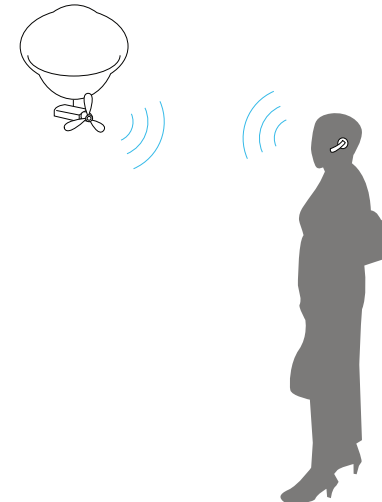
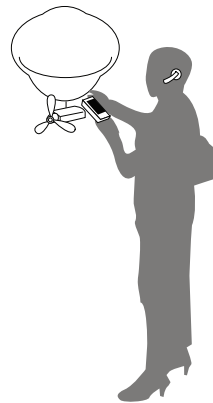
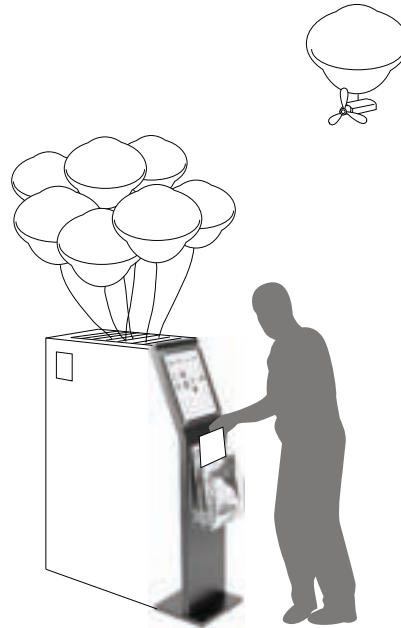
HACK a structure

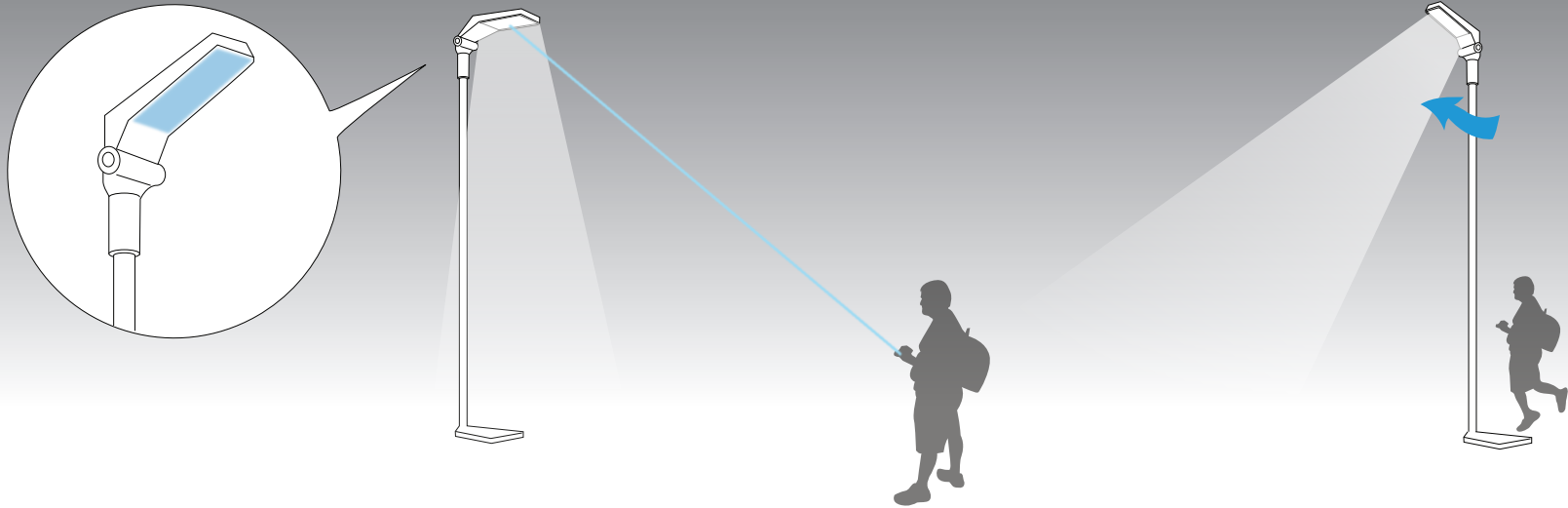
it is a special way to send a personal message from the metro train to someone who you know should see the passing train. the LED message bar on the train window blinks at a hight rate that can be seen only when the train is in motion.



HACK a structure

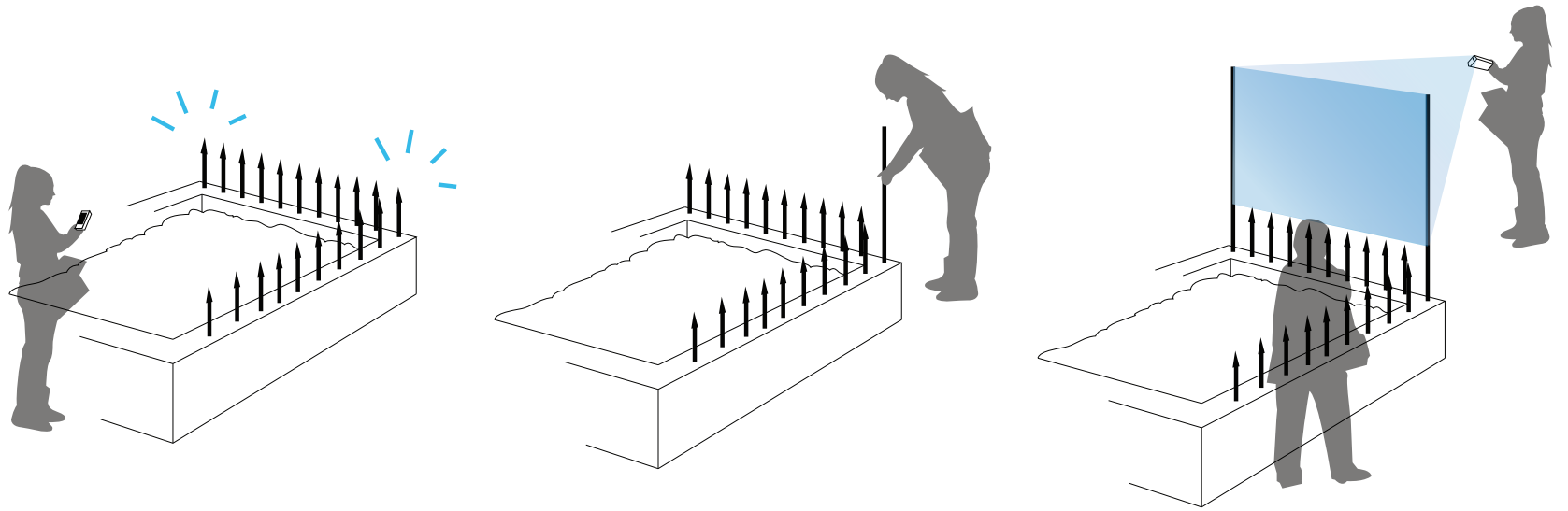
this is a GPS data carrier used to encrypt one's actual physical location. it comes with the "you are here" map service. to use it, first pinpoint a spot on the map (which also shows the cellular coverage, if you want no GPS data to be sensed at all, choose the place with zero coverage). then tell the carrier the ID of your smart device. the carrier will navigate to the destined location, establishing a relation between your device and its own location. everytime you uses a locative service, the carrier will make its own location appear to others.





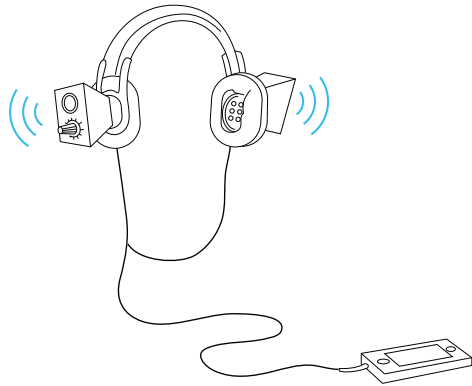
HACK a { structure }

this is a robotic street lamp sensitive to infra-red beams. when one sends a beam using their personal devices, the lamp will turn away, thus keeping the person away from being lit.



HACK a structure

the hackable spikes, either for birds or human beings, can be extended like an antenna, and rolled out to form a reflective screen. one can broadcast the newspaper they are reading with the mini projector built in their mobile devices.



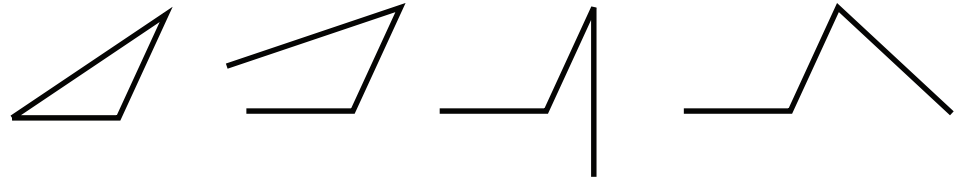
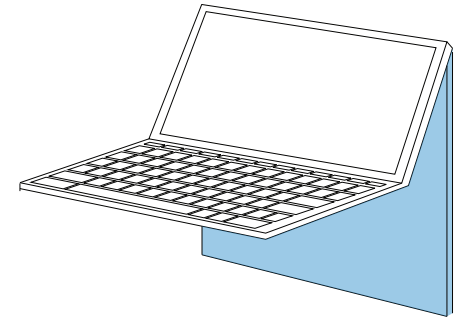
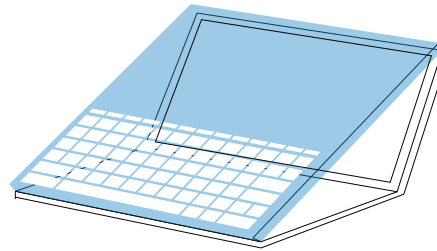
HACK a structure

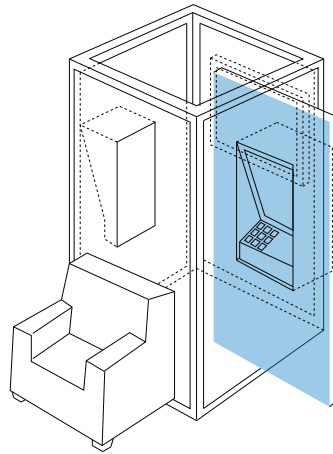
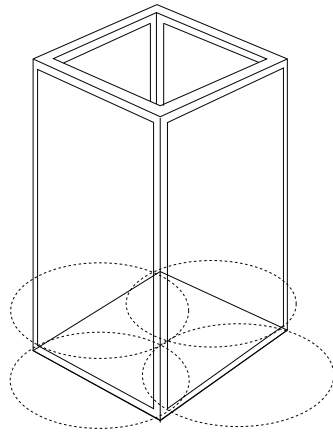
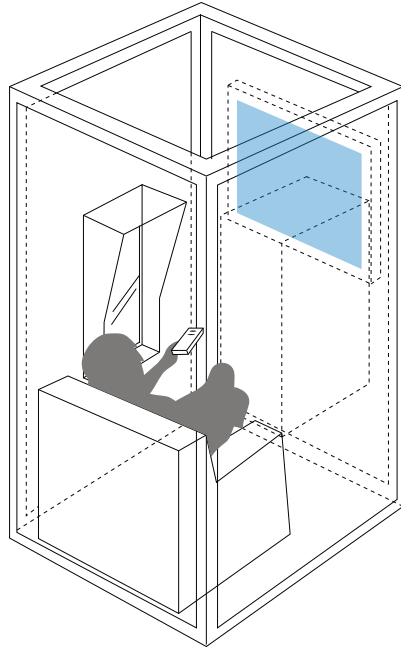
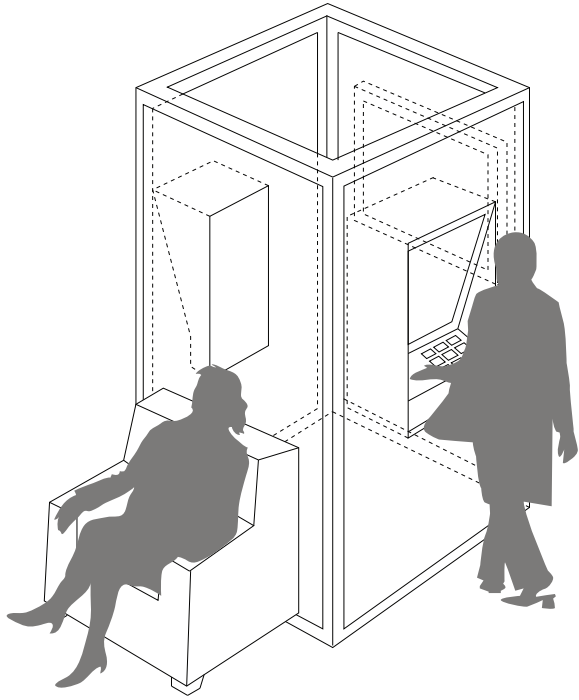
when sitting in an enclosed public space, the “double-sided” headphones allows one to both recede from the environment to and offer something to listen to for people next to them. by turning the knob, the patrons of the headphone can tune to the radio or browse the music library stored in that person’s mobile device.



HACK a structure

the foldable digital reader is both a personal and sharing device that once expanded, can be viewed from the opposite side of the screen. it is used primary when strangers gather for a common purposes such as waiting in line or working at the cafe. the extendable touchscreen can either display what the owner is reading or to be used interactively by another person.





HACK a structure

this is a kiosk providing public and private style of service. each wall with facilities installed on them flip inside out to form an enclosed space.